



INSTRUCTION MANUAL

Installation | Maintenance | Use | Safety

High-Spin Blender *Slim*



Model

LARL.1,5
Slim

Image merely illustrates.

TABLE OF CONTENTS

1. Safety Information	3
1.1 General Warnings.....	3
2. Technical Features	4
2.1 Main Components.....	4
2.2 Technical Data.....	5
3. Installation	5
3.1 Equipment Layout.....	5
4. Use of the Appliance	6
4.1 Utility.....	6
4.2 Commands	7
4.3 Operating Procedures.....	8
5. Cleaning and Maintenance	9
5.1 Cleaning Procedures and Products Used	9
5.2 Maintenance and Procedures in Case of Malfunctions.....	11
6. ANNEXES	12
Electrical Schematic - 110 V or 220 V - 60 Hz Voltage	12
Exploded View Drawing.....	13
Replacement Parts	14



ATTENTION!

The characteristics, pictures and figures presented in this manual should be considered for information. BIMG BRASIL reserves the right to make such modifications as may be deemed necessary without prior notice.

1. Safety Information

1.1 General Warnings

- Cautions / precautions must be observed when installing, using, maintaining and discontinuing use of this appliance;
- Before carrying out any operation (assembly, utilization (use), maintenance and reuse after prolonged use of the equipment), read the manual carefully;
- The equipment must be used by trained personnel familiar with the use and safety standards described in this manual;

This appliance is not intended for use by persons (including children) with reduced physical, sensory or mental capacities, or people with lack of experience and knowledge, unless they have received instructions regarding the use of the appliance or are under the supervision of a person responsible for their safety;

- It is recommended that children be supervised to ensure that they are not playing with the equipment;
- In case of change of the personnel that will work with the equipment, the new operator must be educated about the standards and the operation of the same one;
- The operator must use the **Adequate PPE's** (equipment for individual safety). As for example: use touches the hair avoiding that they lock in the moving parts of the machine;
- The operator must always be aware of situations that can cause a risk of accidents and avoid them. For example: avoid working with loose uniform sleeves, where they can lock in moving parts, causing accidents;
- After being held to read and answered all the questions, this manual must be stored carefully in place of easy access, known by all the people who will operate the equipment and made available for the people who carry out maintenance, to any queries. Whenever any questions arise, be sure to check the manual. Do not operate the appliance in any way with doubts;
- Before starting cleaning and any maintenance, it is essential to disconnect the appliance from the power supply;
- Periodically check the condition of the cables and electrical parts;
- In the installation, it is essential to make this manual available to the professionals who will do the same;
- Never place hands, fingers or objects inside the cup while the appliance is on, as this could cause an accident;
- Never turn on the appliance with the cup uncovered, and also don't remove the cup while the appliance is in operation;
- Do not leave the appliance turned on without supervision and operating for more than 3 uninterrupted minutes;



ATTENTION!

Do not perform repairs on your own. Refer servicing to qualified service personnel. Use only original parts in your appliance.

2. Technical Features

2.1 Main Components

For the equipment described in this manual, safety in use, cleaning, maintenance and maximum hygiene are guaranteed by the design and special project for all parts, as well as by using stainless steel and other materials suitable for contact with food.

The appliance was built with the following features:

- **Cover** made of non - toxic plastic (polyethylene - PE). Material resistant to citric acid (found in lemon and orange juice), is easy to maintain, hygienic and resistant to corrosion;
- **Cup** manufactured in stainless steel 304, which resists the attack of several corrosive agents, such as the majority of the organic acids, organic substances in general, alkalis, oxy-salts, etc..

Note: stainless steel 304 is attacked by sulfuric acid, and also cannot withstand hydrochloric acid, diluted sulfuric acid, chlorides and halides in general.

- **Cabinet** made of 430 stainless steel, which has higher corrosion resistance than other steels. It's a material resistant to the attack of several corrosive agents;
- The **blades** are made of 304 hardened stainless steel, which increases wear resistance. Very resistant to aggressive agents such as fruit and vegetable juices, some mild acids and alkalies, water vapor free of contaminants, etc.
- **Base** and **cup holder** produced by non-toxic ABS plastic, highly resistant and hygienic.

The following are the main components of the appliance:



Note: For exploded design with spare parts list, see the attachments.

2.2 Technical Data

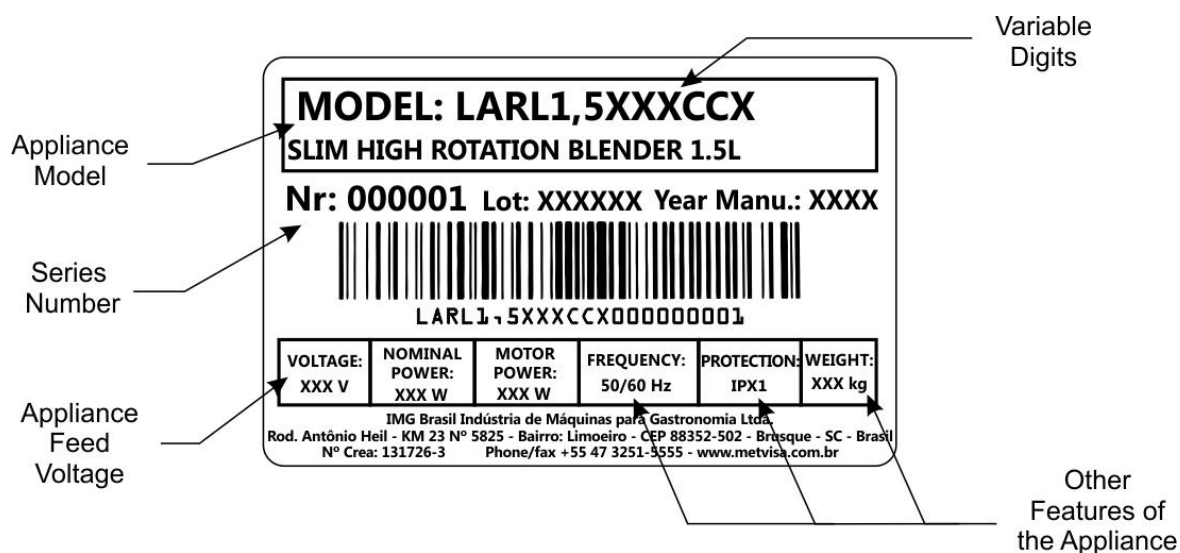
Model	Nominal Measures Length.xHt.xWidth (mm)	Net weight (kg)	Voltage (V)	Power Nominal (W)	Capacity (L)
LARL1.5110CC4	195x435x190	3.0	110	284	1.5
LARL1.5220CC1	195x435x190	3.0	220	328	1.5
LARL1.5220CC2	195x435x190	3.0	220	328	1.5
LARL1.5220CC2	195x435x190	3.0	220	328	1.5
LARL1.5220CC4	195x435x190	3.0	220	328	1.5

Noise level (appliance with load): 75 dB.



ATTENTION!

Features like: model, serial number and voltage of the equipment are provided on the label (figure below). Before installation, check that the power supply voltage of the appliance corresponds to that of the mains.



3. Installation

3.1 Equipment Layout

The connection to the mains and the arrangement for operation must be carried out by a qualified professional. Check that the voltage of the equipment matches the mains voltage.

It is essential to make this manual available to the professionals who carry out the installation.

To ensure correct operation and safety, the machine must be positioned in an airy environment and on a sufficiently wide, level, dry and stable support surface, away from heat sources and water taps, and at a medium height of 80 cm. Install your appliance by leaving a distance of at least 20 cm around it so that it has sufficient space for inspection, maintenance, cleaning and use.



ATTENTION!

The installation and location of the appliance must be in accordance with the regulations on the prevention of risks and safety at work (regulatory standard in force in your country).

The manufacturer shall not be liable for any direct or indirect damages caused by non-compliance with these standards and other instructions presented in this manual.

4. Use of the Appliance

4.1 Utility

This appliance is intended exclusively for the grinding of light food products with the addition of liquid and the dissolution of frozen fruit pulps.

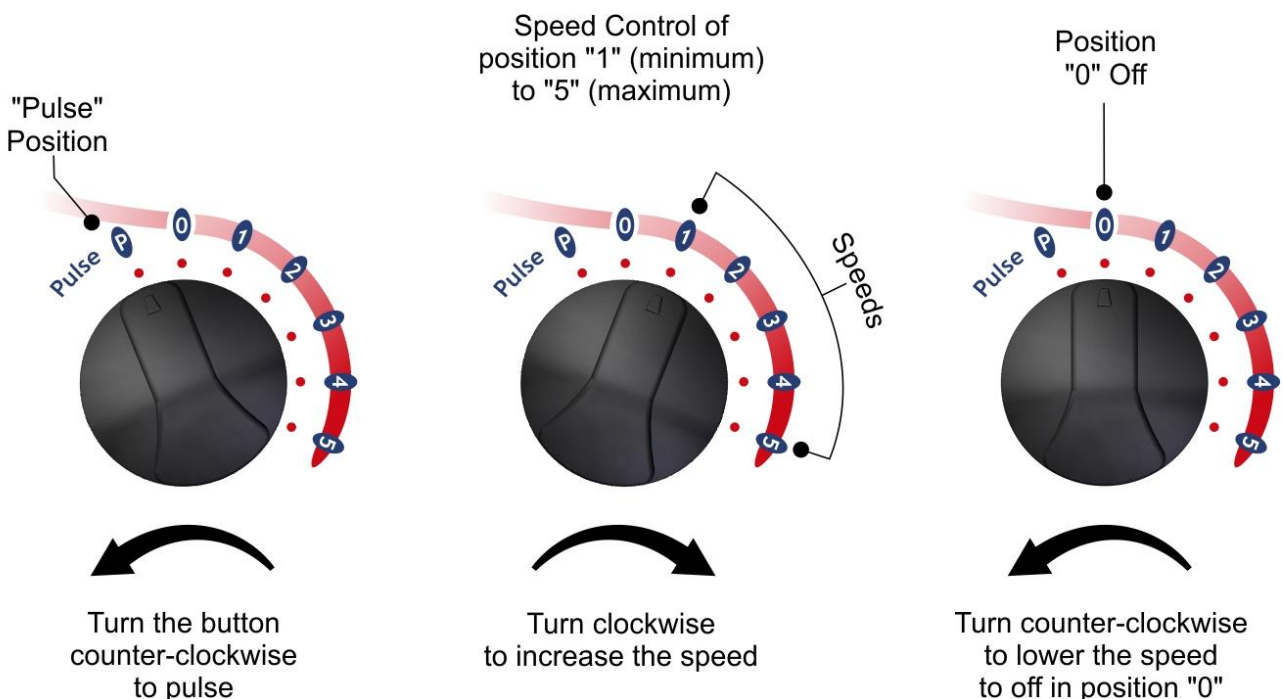
4.2 Commands

The appliance consists of a speed control knob, positioned on the front of the cabinet (image below).



See button description and its functions:

- **Speed Control knob** - used for pulsing, controlling speeds and turning the power appliance off.
- Pulsar function: serves to break solid ingredients. In order to make better use of this function, it is recommended to activate the pulse function a few times before processing the food. The pulsing function also helps to clean the glass, especially the blades. Follow the cleaning instructions in item 5 of this manual.
- Speed Control: is to connect and control the speed levels. Turning the knob clockwise will increment the speed gradually, position "1" being the minimum speed and position "5" the maximum. To turn the appliance off, reduce the speed by turning the knob counterclockwise to the "0" (off) position.



4.3 Operating Procedures

Before operating your appliance, make sure that the items that come into contact with the food (cup, lid and overcap) are perfectly clean. Perform cleaning with the appliance disconnected from the electrical network. Follow the cleaning instructions in item 5 of this manual.

Make sure that the cup is firmly inserted in the coupling and cup holder. Also check that the supply voltage of the appliance complies with that of the electrical network.

After verifying these items, follow the appliance operating processes below:



ATTENTION!

To avoid damaging the appliance, never turn it on with the glass empty. Before connecting it, insert liquid in the minimum amount at twice the height of the blade.

- Connect the power cord to the power grid;
- Add the liquid according to your recipe, but always comply with the "MAX" level indicated on the cup. In possession of the pre-cut pieces of food (approximately 2 cm), place them in the glass;



- Before turning on your appliance, always lock the lid with the overcap in the cup and activate the pulse function a few times by turning the knob counterclockwise;
- To start processing, turn the knob clockwise by increasing the speed gradually until you reach the desired speed;
- To add ingredients during processing, remove the cover by turning it counterclockwise and pulling it up vertically. Use the opening in the cover without needing to remove it;
- Allow time necessary to process food properly;
- After the process is completed, switch off the appliance by turning the knob counterclockwise and reduce the speed to "0" (off) position and remove the appliance from the wall outlet.

IMPORTANT

To avoid overflowing ingredients, do not put more than 1 liter in the cup, especially if processing at full speed. Do not place more than 500ml in the cup if you are processing hot liquids or ingredients that tend to foam.

When processing a liquid that is hot, remove the overcap to allow steam to escape. For your safety, the temperature of the processed products must not exceed 40° C.

If food sticks to the wall of the cup, turn off the appliance and unplug the appliance from the socket. Use a spatula to remove food from the wall of the cup.



ATTENTION!

Never turn on the appliance with the cup uncovered, and also don't remove the cup while the appliance is in operation.

To add ingredients or for viewing the food being processed, remove only the overcap.



ATTENTION!

Do not leave the appliance running for more than 3 uninterrupted minutes. If processing has not finished after that time, let it stand for 10 minutes before putting it back into operation.

To avoid damaging the appliance, never turn it on with the glass empty.

It is not recommended to crush ice, as well as solid foods without adding any liquid, as it may cause overheating, damaging the cup sealing system, wear and/or breakage of the blades and other components of the appliance.

If you notice that the machine cannot process the food or that it stops processing, decrease the amount or size of the food in the pre-cut before inserting it into the cup.

Failure to comply with these guidelines will be considered an unsafe act and abusive use of the appliance.

In the case of any irregularities contact your nearest authorized service center.

5. Cleaning and Maintenance

5.1 Cleaning Procedures and Products Used

Your equipment is built with first-line materials, so use it correctly and you will get great satisfaction. Keep your equipment always clean and well taken care of, as this will make it have a much longer shelf life.

A daily cleaning of the machine must be carried out for good operation and durability.



ATTENTION!

Before performing maintenance or cleaning, make sure that the speed control knob is in the "0" (off) position and the plug is disconnected from the power grid.



ATTENTION!

Do not use a water jet to clean the appliance.

IMPORTANT

This equipment is not intended to be fully immersed in water for cleaning. Follow the instructions below to find out which parts can be immersed and the special care to be taken with the other parts.

To remove heavier dirt from the cup, follow the instructions below:

1. Insert the cup into the coupling and cup holder;
2. Add warm water (at most 500ml) and a few drops of neutral detergent into the cup;
3. Replace the cover and turn the knob to the PULSE position a few times;
4. When the appliance is turned off, remove the cup from the holder and rinse under running water.

The removable parts (cover and top cover) must be removed from the appliance and washed with neutral soap and water. Clean the corners thoroughly, eliminating food residue.

The rest of the appliance should only be cleaned with a damp cloth as many times as possible to prevent food residues from drying out and sticking to the parts. Dry all cleaned parts with a soft, dry cloth.

Never use abrasive products or sponges for cleaning as they may scratch or ruin the surface of the parts. Do not spill water on the appliance for cleaning, otherwise, turning it on may cause electric shock or even burn the appliance.



ATTENTION!

Prior to first use, cleaning should be done as instructed above. A little smoke and smell may occur due to the burning of non-toxic lubricant on the axle.

Take care when cleaning the glass, as the blades are exposed and are extremely sharp. Handle with care as this may cause accidents. The same attention is paid to any other sharp component of the appliance.

IMPORTANT

The manufacturer shall not be liable for any direct or indirect damages caused by non-compliance with these standards and instructions presented in this manual.



ATTENTION!

It is extremely important that the products used in the cleaning ensure maximum cleanliness and are not toxic.

5.2 Maintenance and Procedures in Case of Malfunctions

The operator must be instructed to perform routine inspections, making minor adjustments, the cleaning and to observe signs of breakdowns that could occur. Examples include: checking for extraneous noise; loss of power of the appliance; the non-performance by the appliance of the service to which it proposes; among others. Actions such as these are essential to ensure a longer equipment life.



ATTENTION!

When maintenance is made (even if small adjustments), always unplug the appliance from the mains.



ATTENTION!

The blades may be re-sharpened when they lose their cut. To do this, contact the nearest technical assistance.

It is recommended to carry out preventive maintenance every 6 months, checking and adjusting clearances, cleaning internal parts, etc.. When detecting broken or malfunctioning parts, always replace using original parts.

By carrying out preventive maintenance, the inconvenience of keeping the appliance still when needed most is eliminated, the cost of maintenance is reduced and the risk of accidents is reduced.



ATTENTION!

Preventive maintenance requires a trained professional.

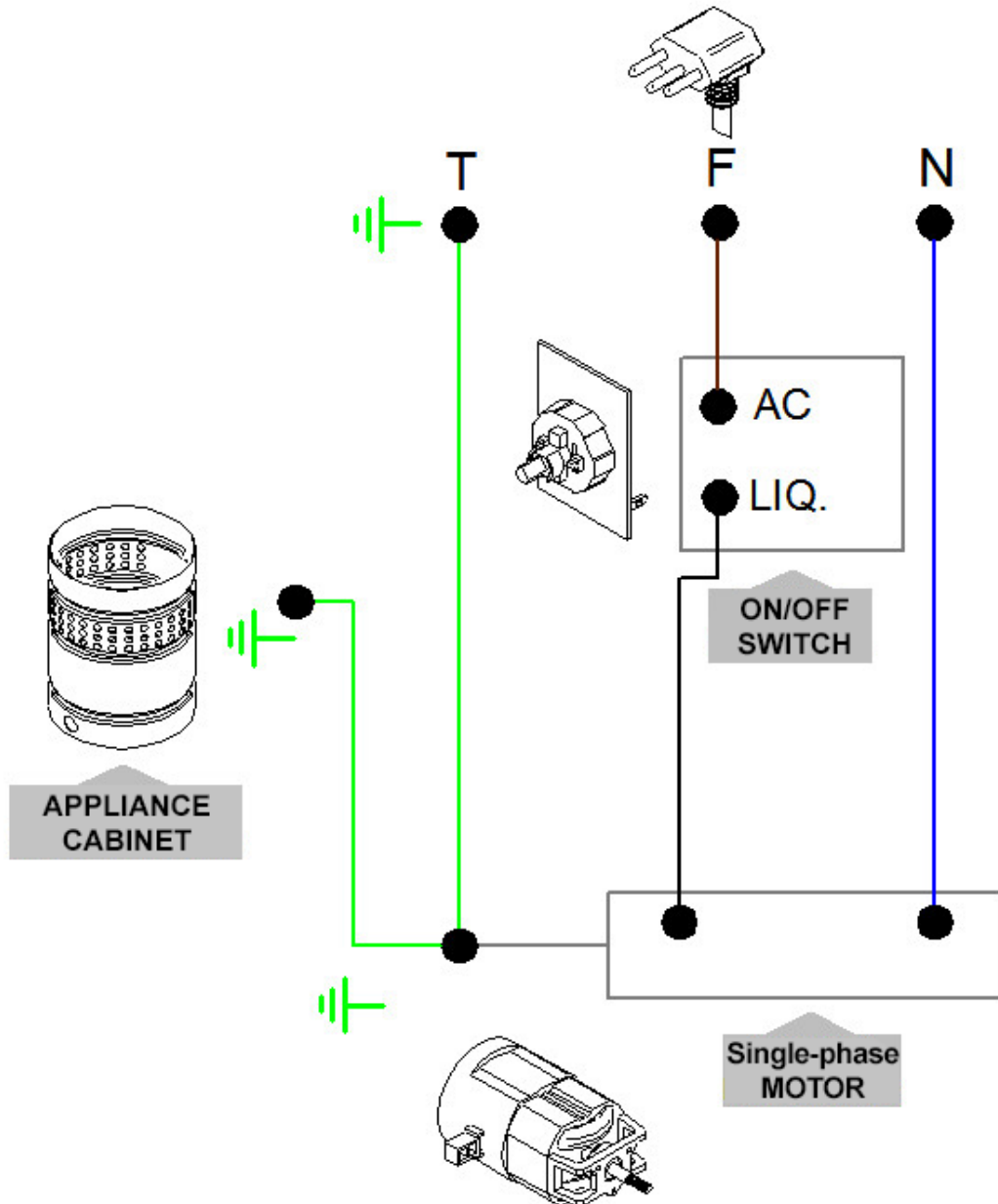
Make sure the appliance is disconnected from the power grid.

Whenever an item related to the safety of the appliance is removed (e.g. when performing maintenance), put it back in its proper place and confirm that it is performing its function correctly.

When a breakdown or non-compliance is detected, refer your appliance to the nearest technical assistance. See a list of technical assistance on our website: www.metvisa.com.br.

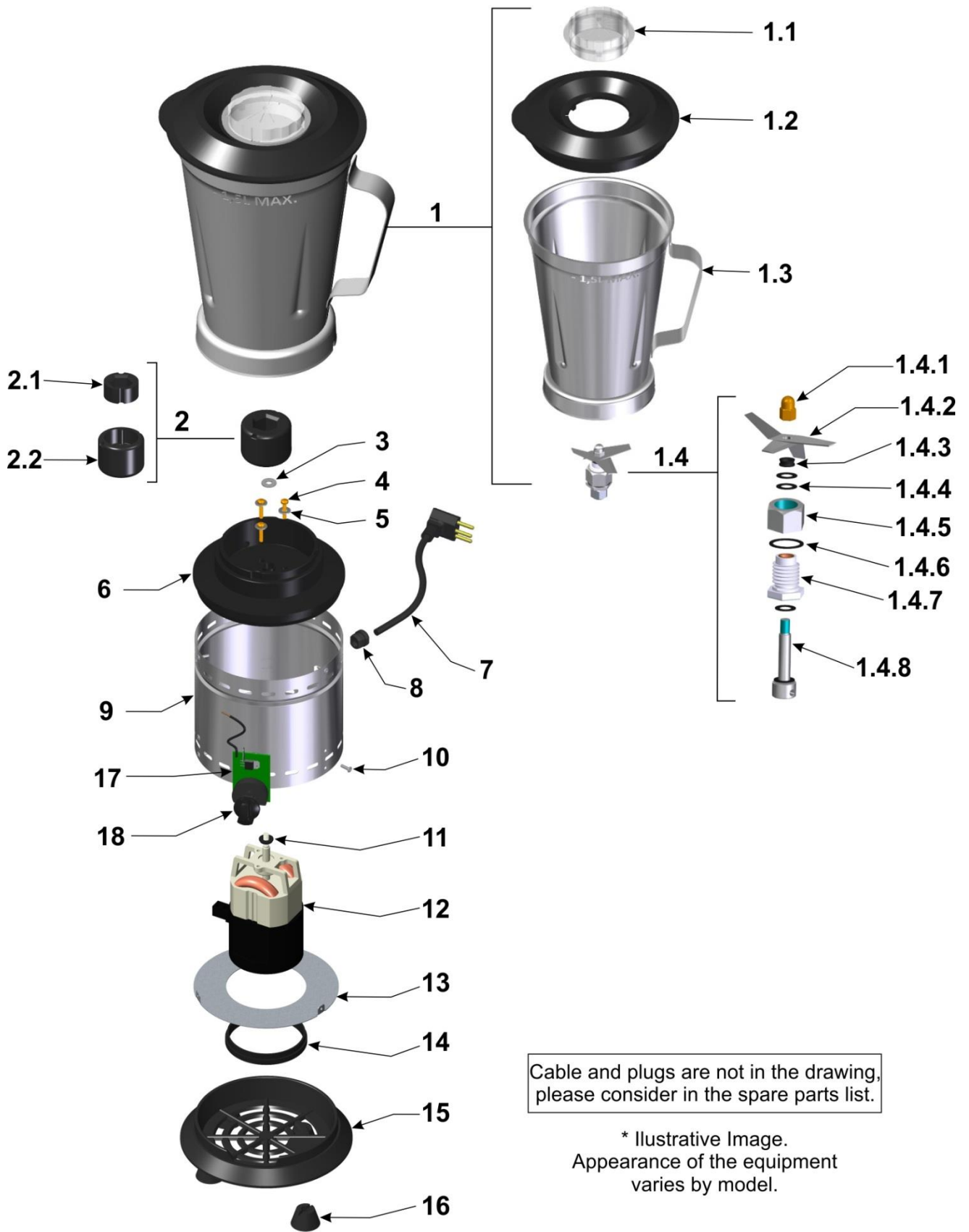
6. ANNEXES

Electrical Schematic - 110 V or 220 V - 60 Hz Voltage



ATTENTION: The ground connection varies according to the type of plug. For electrical installation observe the current standards of the country, especially with regard to ground connection (if applicable).

Exploded View Drawing



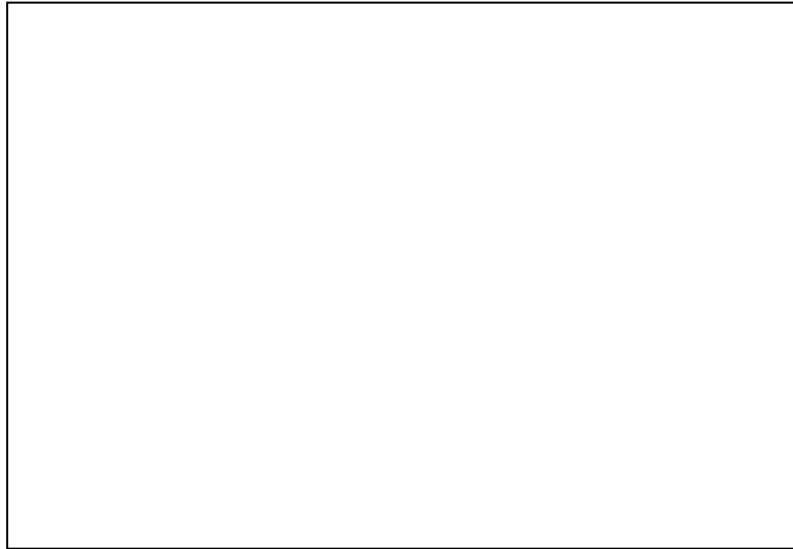
Cable and plugs are not in the drawing, please consider in the spare parts list.

* Illustrative Image.
Appearance of the equipment varies by model.

Replacement Parts

Item	Code	Description	Qty.
1	CJT839	Full Stainless Steel Cup	01
1.1	TAP103	Overcap of the blenders	01
1.2	TAP156	Black Plastic Cover	01
1.3	COP115	Stainless Steel Pointed Cup	01
1.4	CJT685	Full Bearing	01
1.4.1	POC006	Nut Hat	01
1.4.2	LMT011	Stainless Steel Blade	01
1.4.3	VRG001	V'ring	01
1.4.4	ARE012	Celeron Graphite Washer Ø 8	04
1.4.5	POE009	Bearing Nut	01
1.4.6	ARE036	Celeron Graphite Washer Ø 1/4"	01
1.4.7	CJT138	Bearing with Bushing	01
1.4.8	EIX206	Hexagonal axle of the Cup	01
2	CJT677	Full Coupling	01
2.1	BCH085	Blender Coupling Rubber Bushing	01
2.2	ADA021	Plastic Hexagonal Coupling	01
3	ARL040	Flat washer	01
4	PAG001	Trilobular Screw	03
5	ARL008	Stainless steel Flat washer	03
6	SUC011	Cup Holder	01
7	CBE023	Power Cable – LARL1,5220CC1	01
	CBE029	Power Cable – LARL1,5220CC2	
	CBE272	Power Cable – LARL1,5220CC3	
	CBE030	Power Cable – LARL1,5110CC4 / LARL1,5220CC4	
8	TCE073	Print cable	01
9	GAB182	Cabinet	01
10	RBT002	Rivet	09
11	RET007	Axle retainer	01
12	MTE097	Electric Motor 800 W Voltage 220 V	01
12	MTE098	Electric Motor 800 W Voltage 110 V	
13	CRC1386	Bottom Plate	01
14	BCH091	Motor Cushion	01
15	BAS102	Round Base	01
16	PEP018	Foot for Plastic Base	04
17	CHE104	Speed Control Switch Voltage 110 V	01
	CHE105	Speed Control Switch Voltage 220 V	
18	BOT020	Speed Control Button	01
19	TCE004	Terminal Fit (Blue)	02
20	TCE013	Female Terminal (Yellow)	01
21	CBE092	Green Electrical Cable/Yellow Seam (Earth)	01

IMG BRASIL PRODUCT MANUFACTURER



IMG-BRASIL Gastronomy Machinery Industry Ltda.

CNPJ 11.193.347/0001-14 - CREA 131726-3

Rod. Antônio Heil – KM 23 Nº 5825 – Limoeiro

CEP 88352-502 - Brusque – SC – Brazil

Phone/fax. +55 47 3251-5555 - Site: www.metvisa.com.br

E-mail: sac@metvisa.com.br - export@metvisa.com.br - export2@metvisa.com.br



Discover our complete
line of products.