



INSTRUCTION MANUAL

Installation | Maintenance | Use | Safety

Rotary Chicken Roaster



Model: ASER.10

Models

ASER.6

ASER.10



Model: ASER.6

Image merely illustrates.

CONGRATULATIONS,

You have just purchased a IMG-BRASIL equipment, product of the highest quality, safety and efficiency.

Founded in 1989, IMG-BRASIL is a respected company as one of the best and most complete companies in the field of gastronomy equipment manufacturing.

Constant innovation and improvement of its products, using top-of-line raw materials, ensure superior products consumed in Brazil and in more than 25 countries worldwide.

THE RELIABILITY AND CERTAINTY OF A GOOD PRODUCT ARE IN THE NAME



IMPORTANT:

**PRODUCT FOR PROFESSIONAL USE. DO NOT USE BEFORE READING THE MANUAL CAREFULLY.
IN CASE OF QUESTIONS, PLEASE CONTACT US::**

IMG-BRASIL Gastronomy Machinery Industry Ltda.

CNPJ 11.193.347/0001-14 - CREA 131726-3

Road. Antônio Heil – KM 23 Nº 5825 – Neighborhood: Limoeiro – ZIP CODE 88352-502

Brusque – SC – Brasil

Phone/fax. +55 47 3251-5555 - Website: www.metvisa.com.br

INDEX

1. Safety Information	4
1.1 General Warnings.....	4
1.2 Mechanical Safety	5
1.3 Electrical Safety	5
2. Technical Characteristics	6
2.1 Main Components.....	6
2.2 Technical Data.....	7
2.3 Supply and Disposal of Equipment Packaging.....	8
3. Installation	8
3.1 Machine Layout	8
3.2 Electrical Connection	10
3.3 LPG Gas Installation - Recommendations and Care.....	11
3.4 Safety Procedures and User Instruction.....	13
4. Equipment Use	14
4.1 Utility.....	14
4.2 Commands	14
4.3 Operating Procedures.....	14
5. Cleaning and Maintenance	18
5.1 Cleaning Procedures and Products Used	18
5.2 Breakdown Maintenance and Procedures.....	19
5.3 Prolonged Interruption in Use of the Equipment.....	20
6. Analysis and Troubleshooting	20
6.1 Problems, possible causes and solutions	20
7. Useful Life of the Device and its Components	22
8. Applicable Standards	22
9. ANEXOS	23
Electrical Schematic Voltage 110/127 V	23
Electrical Schematic Voltage 220 V	23



ATTENTION!

The characteristics, pictures and figures presented in this manual should be considered for information. IMG BRASIL reserves the right to make such modifications as may be deemed necessary without prior notice.

1. Safety Information

1.1 General Warnings

- Cautions / precautions must be observed when installing, using, maintaining and discontinuing use of this equipment;
- Before carrying out any operation (assembly, use, maintenance and reuse after prolonged use of the equipment), read the manual carefully;
- The equipment must be used by trained personnel familiar with the use and safety regulations described in this manual;
- This equipment is not intended for use by persons (including children) with reduced physical, sensory or mental capacities, or people with lack of experience and knowledge, unless they have received instructions regarding the use of the appliance or are under the supervision of a person responsible for their safety.
- It is recommended that children be supervised to ensure that they are not playing with the equipment;
- In case of rotation of the personnel that will work with the equipment, the new operator must be educated about the standards and the operation of the same one;
- The operator must use the **Adequate PPE** (Personal Protective Equipment). As for example: use appropriated gloves to protect the hand from burning by the structure heating of the equipment.
- The operator must always be aware of situations that can cause a risk of accidents and avoid them. For example: turn on the gas regulator button without lighting the burner, spreading the gas in the environment causing poisoning, fire and explosion risks;
- After reading and clarifying all doubts, this manual should be carefully stored in an easily accessible location, known to all persons who will operate the equipment and make it available to those who will carry out maintenance for any inquiries. Whenever any questions arise, be sure to check the manual. Do not operate the equipment in any way with doubts;
- In the installation, it is essential to make this manual available to the professionals who will do the same;
- Do not install the equipment near flammable materials;
- Before starting cleaning and any type of maintenance, it is essential that the equipment is at room temperature, with the burners off and the gas pressure regulator closed and the inside of the roaster at room temperature.
- This equipment is intended for domestic use and similar applications such as: store kitchens, offices and other similar workplaces; farmhouses; by customers in hotels, motels and other similar locations; bedroom environments and small meals.



ATTENTION!

Do not perform repairs on your own. Refer servicing to qualified service personnel. Only use original parts in your equipment.

1.2 Mechanical Safety

- Before operating the equipment, make sure that the gas installation does not leak.
- Insert only specific products into the roaster for which the equipment is intended and never place your hands or inflammable products, close to or directly on the roaster.
- When cleaning the equipment, be extremely careful. Disconnect the equipment from the electrical network and close the gas valves on the cylinders. Then wait for the roaster to completely cool down. Never put your hands or cleaning products on the heated roaster. For further information on cleaning the equipment, follow the instructions in item 5 of this manual.
- When the equipment is off and you are going to handle the skewer take the utmost care. Skewers can easily cause accidents (cuts, for example) if they are not handled carefully.
- The equipment described in this manual complies with the mechanical type hazard regulation. The requirements of the Brazilian standard were observed: NR12 and INMETRO (see item 8 Applicable Standards).

Security is ensured with:

1. **Structure** and **glass door** prevent inappropriate access to internal parts, such as infrared burners and skewers during the process;
2. **Door**, as it is made of tempered glass, allows you to view the food being roasted without having to open it;
3. **Grease collector**, preventing grease and process residue from accumulating in the tray.

To view the parts described above, refer to the image in item 2.1 (Main Components – page 7) of this manual.



ATTENTION!

Always that some item referred to safety be removed from the equipment (for example, for cleaning or maintenance), replace it in place and confirm that it is performing its function correctly.

1.3 Electrical Safety

- Periodically check the condition of cables and electrical parts;
- If the power cord is damaged, it must be replaced with a new one. The exchange must be carried out by the manufacturer, an authorized agent or a qualified person in order to avoid risks;
- Do not use water jets, as it may cause electric shock. To clean your equipment, follow the instructions in item 5 of this manual;
- Do not work with the equipment in damp places, or with wet clothes and shoes. Put on proper footwear, this will avoid electric shocks and even death;
- Place the equipment on a firm, dry and well-leveled surface;
- Never carry out any maintenance, adjustment or disassembly operation on the equipment with it turned on. For such procedures, make sure that it is turned off, removing the plug from the electrical network, turning off the burners, closing the gas pressure regulator (register) and verifying that the roaster is at room temperature;

- Do not use extension cords or adapters with various other equipments connected to them. This could cause fire or overload;
- Grounding on this equipment is mandatory;
- The equipment must be connected to an exclusive thermoelectric circuit breaker;
- Be careful not to let the electric cable touch any hot surface;
- Do not use charcoal or similar fuels in this equipment.

Removing or tampering with any of the security systems can cause serious accidents.

The components used for safety against electrical hazards have been selected in accordance with applicable standards. Given the perfect insulation of all electrical parts and the excellent resistance of all the materials used, this device is capable of carrying out the tasks it is intended to do.



ATTENTION!

Always that some item referred to safety be removed from the equipment (for example, for cleaning or maintenance), replace it in place and confirm that it is performing its function correctly.

2. Technical Characteristics

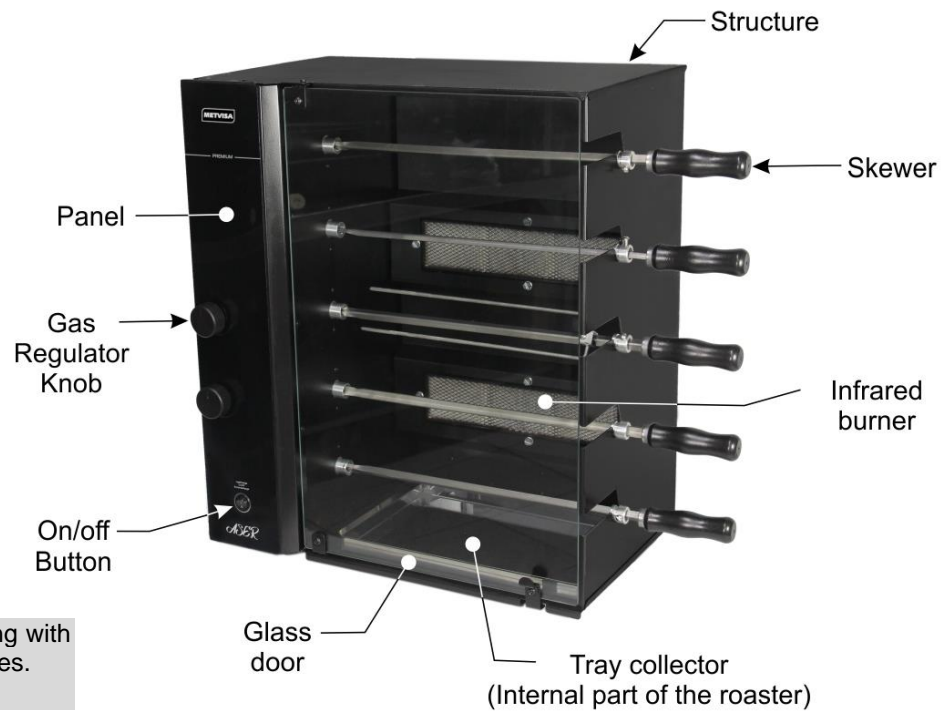
2.1 Main Components

For the equipment described in this manual, safety in use, cleaning, maintenance and maximum hygiene are guaranteed by the design and special design of all parts, as well as the use of stainless steel and other materials suitable for contact with the foods.

The equipment was designed with the following characteristics:

- Panel and collection tray are made of stainless steel, which has superior corrosion resistance than other steels. It is a material resistant to attack by various corrosive agents;
- Skewers made of stainless steel and wooden handle;
- Structure is made of carbon steel with epoxy paint. Internal bottom with high temperature paint coating;
- Tempered glass door resistant to high temperatures;
- Burners with heat emitted by infrared radiation.

See below the main components of the equipment:



Note: For exploded drawing with spare parts list, see annexes.

2.2 Technical Data

Model	Voltage (V)	Freq. (Hz)	Net Weight (kg)	Nominal Measures LxHxW (mm)	Rate (A)	Skewer Rotation (rpm)	Consumption Gas (kg/h)	Capacity (kg)*	Quantity Infrared Burners	Skewers Quantity (units)	Preparation Time Approx. (h)**
ASER6127M605	127	60	19,7	550x430x410	1,0	6,0	0,2	6	1	3	1,5
ASER6220M605	220	60	19,7	550x430x410	0,5	6,0	0,2	6	1	3	1,5
ASER6220M501	220	50	19,7	550x430x410	0,55	5,0	0,2	6	1	3	1,5
ASER10127M605	127	60	27	550x650x410	1,0	6,0	0,4	10	2	5	1,5
ASER10220M605	220	60	27	550x650x410	0,5	6,0	0,4	10	2	5	1,5
ASER10220M501	220	50	27	550x650x410	0,55	5,0	0,4	10	2	5	1,5

* Capacity for 1 chicken per skewer weighing approximately 2 kg each.

** Preparation time may vary depending on the type of meat. Meats that are frozen or seasoned in brine usually take longer to cook than other foods.

External factors such as heat, cold and wind influence the baking time and the temperature required for each type of food.



ATTENTION!

Characteristics like: model, serial number and voltage of the equipment are provided on the label (figure below). Before installation, check that the power supply voltage of the equipment corresponds to that of the mains.



2.3 Supply and Disposal of Equipment Packaging

The equipment is packed with wood or cardboard to ensure its perfect integrity during transport and is accompanied by the following documents:

- Instruction Manual for Installation. Use, Maintenance and Safety;

IMPORTANT

The packaging components (cardboard, wood, foam, strips, etc.) are products that can be assimilated to municipal solid waste and can be disposed of without difficulty. If the equipment is installed in countries with different standards, dispose of the packaging in accordance with current regulations. Dispose of the product correctly to help protect the environment. For more information on recycling, contact your local authorities, waste disposal service or the shop where you purchased the product.

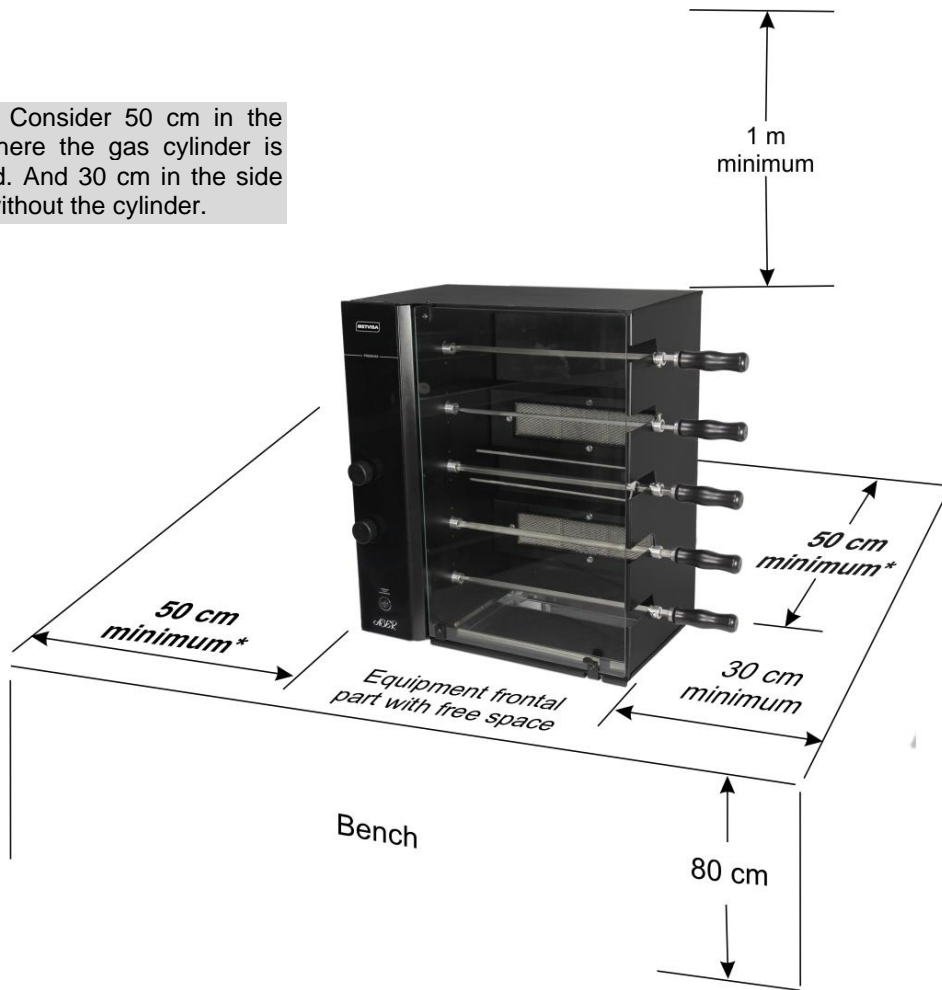
3. Installation

3.1 Machine Layout

When installing, it is essential to make this manual available to the professionals who will carry it out.

To ensure the correct functioning and safety, the equipment must be positioned in a ventilated environment and on a sufficiently wide, well-leveled, dry and stable support surface, away from heat sources and water taps, at an average height of 80 cm and in a place where there is no heavy foot traffic. Install your equipment leaving a free area at the front, and a distance of at least 50 cm on the left or rear side if the gas cylinder is installed in one of these areas. On the right side and on the side that does not have the cylinder, leave a minimum distance of 30 cm and at the top, at least 1 m. The area must have sufficient space to carry out inspection, maintenance, cleaning, use and connection of the gas supply hose.

Note: * Consider 50 cm in the area where the gas cylinder is installed. And 30 cm in the side areas without the cylinder.



To facilitate transport, the roaster is packaged with the skewers disassembled.

Before starting assembly, check that the equipment is correctly arranged on the bench. Assemble each skewer by fitting the support bushing into the cutout. And the tip of the skewer on the rotation axis inside the roaster.

Check the items and mounting location in the following image:





ATTENTION!

This equipment uses LPG (liquefied petroleum gas) for heating, and cannot be installed in closed environments where there is no air renewal, as this gas is highly toxic.

Keep the gas cylinder at least 1.5 m away from sockets, switches, electrical switches, or any device subject to sparks or flames, where these in contact with LPG gas could cause an explosion, causing serious accidents with risk of death to the operator.

Do not install the equipment near flammable materials or products.



ATTENTION!

The installation and the place where the equipment will be placed must comply with the rules of risk prevention and safety at work (Regulatory Norm NR-12 for Brazil or according to the regulatory standard in force in your country).

The manufacturer is not responsible for possible direct or indirect damages caused by non-compliance with said standards and other instructions presented in this manual.

3.2 Electrical Connection

The equipment is supplied with a power cord to be connected to an electrical network. If the power cord is damaged, it must be replaced with a new cord. The exchange must be carried out by the manufacturer, authorized agent or qualified person in order to avoid risks.

The plug type of the power cord varies by country. The equipment must be installed by a qualified technician for this function and in compliance with the regulations in force in the country, especially with regard to the earth connection (if applicable).



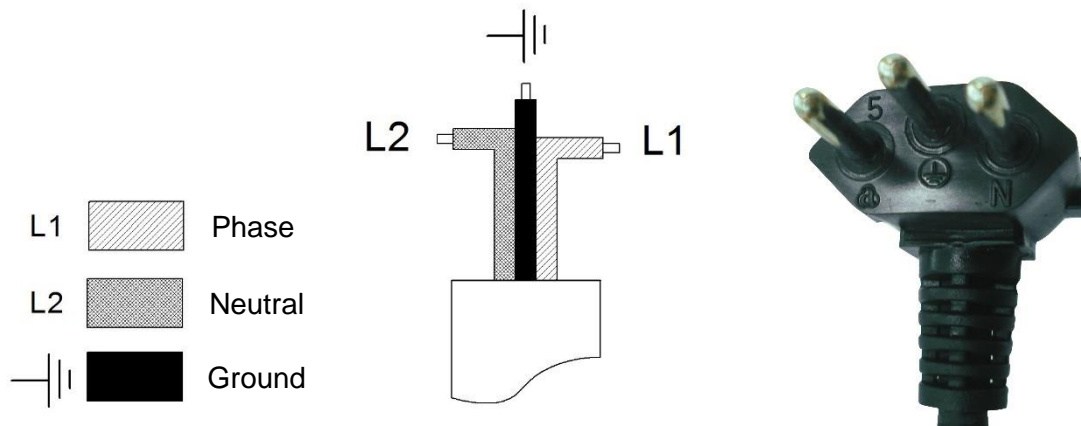
ATTENTION!

In order to avoid accidents, it is mandatory to connect the ground wire (check your country's standard) for all types of voltage.

Never connect the ground wire to the neutral wire of the electrical network, water pipes, gas pipes, etc.

For correct grounding, consider the instructions of standard NBR 5410 – ABNT for Brazil or according to the regulatory standard in force in your country.

Just below each pin on the plug, there is a marking corresponding to the pin: Phase, Ground (if applicable) and Neutral.



The roasters described in this manual are single voltage, that is, 110 V, 127 V or 220 V. If it is necessary to change the voltage on your equipment, contact the manufacturer or authorized dealer.



ATTENTION!

Before turning on your equipment, always check that the mains supply voltage is the same as the equipment voltage. If it is not the same, contact the manufacturer or authorized dealer.

The supply voltage of this equipment is 110 V and 127 V (60 Hz) or 220 V (50 or 60 Hz) single-phase, as can be verified on the voltage label affixed to the power cable or as indicated on the nameplate data label, which is located on the right side of the equipment (see the figure on this label in item 2.2 of this manual).

Make sure that the voltage of the electrical network where the equipment will be installed is compatible with the voltage indicated on these labels.

For more details on the rest of the electrical part of the equipment, refer to the electrical diagram in the annexes of the manual.

IMPORTANT

The manufacturer is not responsible for possible direct or indirect damage caused by non-compliance with the rules and instructions presented in this manual.

3.3 LPG Gas Installation - Recommendations and Care

Check that the place where the equipment will be installed is ventilated and in accordance with the Rules for the Prevention of Risks at Work and Safety at Work on Machines and Equipment (Regulatory Norm NR-12), and periodic inspections by a technician are recommended to ensure that its components are in working condition.

The gas installation must be done by a qualified technician for this function and observing the safety rules.

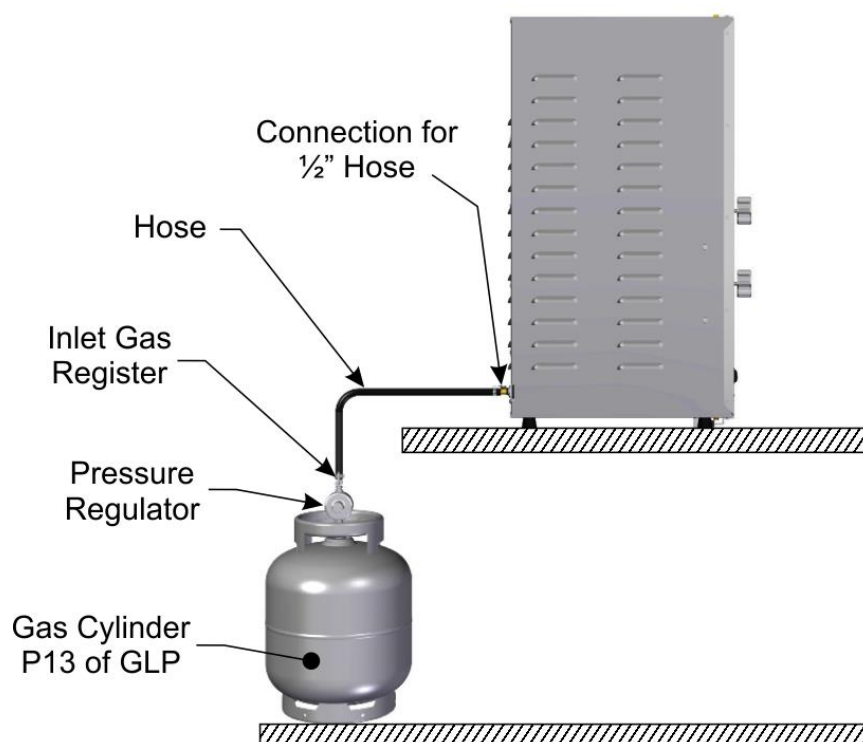
The gas installation must be carried out by a technician qualified for this role and in compliance with safety standards.

The equipment must be installed with the following recommendations and items described below, **BUT NOT SUPPLIED WITH THE EQUIPMENT**:

- **Gas cylinder** – for this equipment, 01 cylinder with a minimum mass of 13 kg (code P13) of LPG (liquefied petroleum gas) will be required. The cylinder must comply with the ABNT 8460 standard for Brazil or according to the regulatory standard in force in your country. Check the product warranty seal. If you have violated, do not install.
- **Pressure Regulator and Gas Register** – Only use a low-pressure regulator (2.8 Kpa) and with certification, embossed inscription NBR 8473. When installing the regulator, turn the butterfly to the right until it is firm. Never use tools to carry out this operation.
- **Hose** – The INMETRO certified model has the NBR 8613 engraving, made of transparent PVC plastic with a yellow stripe. The equipment is manufactured with a connection for 1/2" hoses. The hose must not pass through or be embedded in walls, and must not make any type of splice (welding or gluing). Only secure the ends with appropriate clamps. Never use wires or ribbons. Always check the expiration date of the hose.

IMPORTANT

In addition to the instructions outlined in this manual, it is recommended to also follow the instructions from the manufacturers of cylinders, pressure regulators (gas register) and gas hoses, as these items are not included with the equipment.





ATTENTION!

Change the pressure regulator every 5 years or when it is defective.

Always use the gas cylinder in an upright position. Never overturn, pour or tilt the cylinder, as the gas may flow into the liquid phase, canceling the pressure regulator function, which can cause serious accidents.

Never install the cylinder close to heated surfaces, and keep the gas conductive hose protected from heat to prevent it from melting, causing a fire or other accidents.



ATTENTION!

This equipment operates with LOW PRESSURE GAS. If your supply network has high pressure, have the low-pressure outlet valve checked by a technician.

If the equipment is switched on at high pressure, the components will be damaged, in addition to creating risks for the operator.

After installation and for your safety, check for gas leaks using soap suds only. If there is a leak, inform the technician to repeat the installation.

If the leak persists, take the cylinder to a well-ventilated place and notify the company that sells or distributes the cylinder.

IMPORTANT

The manufacturer is not responsible for possible direct or indirect damage caused by non-compliance with the rules and instructions presented in this manual.

3.4 Safety Procedures and User Instruction

The professional who sells the equipment must instruct the user on the correct functioning of the equipment and must hand over this instruction manual.

The user must be informed of the necessary safety measures and must respect them, as well as all measures described in this manual.

Your equipment has mechanical protections (see item 1.2 Mechanical Safety). Removing or tampering with these safety components can cause serious risks to the operator's upper limbs.

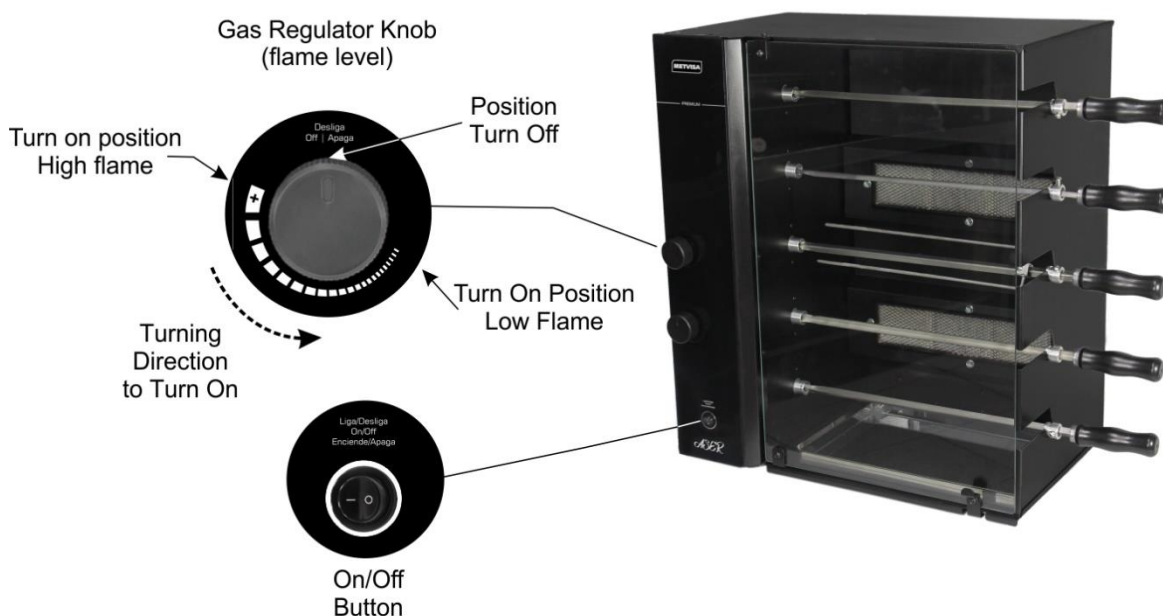
4. Equipment Use

4.1 Utility

This equipment is exclusively intended for roasting meat in general, and must be exclusively for domestic use and not intended for any other purpose.

4.2 Commands

The equipment consists of gas regulator buttons (flame level) and an on/off button located on the front of the roaster.



See description of each command below:

- **On/Off Button** – used to turn the motor that rotates the skewers on and off. In position “1” it switches on, in position “0” it switches off.
- **Gas Regulator Button** – used to light the infrared burners. To turn on, rotate counterclockwise. In the “MAX” position the flame will be high and at “MIN” the flame will be low. Rotate clockwise to the “OFF” position to turn off.

4.3 Operating Procedures

Before operating the equipment, perform perfect hygiene, especially the inside of the roaster and skewers. The equipment is supplied with a protective film on the sheet metal parts that must be removed. Clean the equipment with the gas valve of the cylinder closed, the roaster at room temperature and disconnected from the electrical network. Follow the cleaning instructions in item 5 of this manual (below).

After these initial precautions, make sure that the gas hose connections are correctly fixed and that there are no leaks.



ATTENTION!

For the first use of the equipment, it is necessary to cure the paint inside the roaster. To do this, switch on the empty rotisserie at the minimum heating level (position “MIN” of the gas regulator button) for a minimum period of 60 minutes. Follow the operating instructions in the operation item below.

During the ink curing procedure, odor and smoke will be released due to the ink burning.

Turn off the equipment and wait until the rotisserie is at room temperature. After that your equipment will be available for use.

- **Operation:** The equipment can only be operated after checking the correct arrangement of the equipment, instructed in item 3.1, and after following the care and recommendations of the electrical connection and gas installation, according to the guidelines in items 3.2 and 3.3.

Check the following operating instructions:

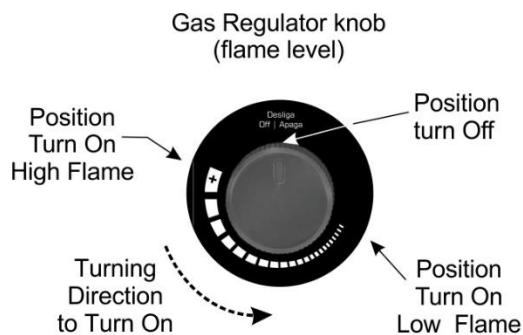
1. Before turning on the roaster, put a little water in the grease collector. Then remove the skewers;



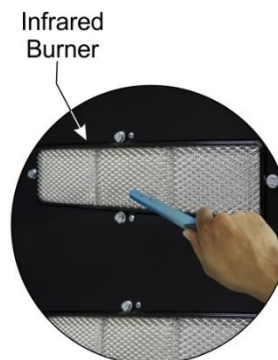
ATTENTION!

When the equipment is off and you are going to handle the skewer that contains the forks, take the utmost care. The forks are very sharp and can easily cause accidents (cuts, for example) if not handled carefully.

2. The lighting of the equipment is manual. Keep the glass door open and open the cylinder's gas valve;
3. For correct and safe ignition, use an automatic type igniter and light in sequence from the top burner to the bottom. Press the gas regulator knob and turn to the on position;
4. With the lighter in hand, bring the lighter up to 1 or 2 cm from the burner (inside the roaster) for lighting. The ceramic plate of the infrared burner gradually becomes glowing red.



Press the gas regulator button (flame level) and turn in the on position



Use an automatic type igniter and bring the lighter up to 1 or 2 cm from the infrared burner

The sequence to light the burners is from top to the bottom.



IMPORTANT

The automatic lighter does not come with the equipment, so always check the instructions for use on the packaging, which may vary depending on the brand and model.

On a cold day, lighting becomes more difficult, as the gas volatilizes more slowly, in which case a longer flame is required for lighting.



ATTENTION!

In case the ignition fails and you smell gas in the environment, do not light it.

Wait a few minutes for it to renew the air in the room, and only then turn on the equipment.

In case of any irregularity, contact the nearest authorized technical assistance service.

5. After lighting all the burners, close the glass door and the side door;
6. Preheat the rotisserie for approximately 5 minutes;
7. Insert one chicken or a maximum of 2 kg of meat per skewer;

TIPS

The equipment heats up more at the top. We recommend rotating the food so that the cooking is uniform.

If the amount of meat is less than 2kg per skewer, evenly distribute the meat on the skewer, standardizing the same distance.

To roast different types of meat, the ideal is to place the meats of the same type on different skewers so that the fat of the food flows over the other, not altering its flavor.

When the food has reached the ideal color, turn the gas regulator knobs to the minimum flame until the end of cooking.

8. Turn the on/off switch to position "1" (on). At this point the skewers will begin to rotate;
9. With the meat roasted, turn off the spit rotation by pressing the on/off button in position "0" (off). Open the glass door and remove the skewer using the wooden handle. Close the door and turn the skewer rotation back on. Carry out this procedure quickly so that there is no loss of heat from the equipment and so that food near the burners does not burn;



ATTENTION!

This equipment is intended for domestic use and must not be used for any other purpose.

When opening the roaster door, keep a safe distance to avoid burns.

Open the door using only the handle, avoid touching the glass, due to the risk of burns.

Do not insert food beyond the capacity of the equipment. Consult the technical data table in item 2.2 of this manual to check the capacity of each equipment.

Always keep the collector tray fitted to the internal base of the equipment and empty it constantly, this will prevent excess fat from overflowing and leaking.

Failure to comply with this guideline will be considered an unsafe act and abusive use of the equipment.



ATTENTION!

During operation, hot vapors and splashes of superheated oil or grease may be emitted. Always use PPE (Personal Protective Equipment).

10. After the work is finished, press the on/off button to the “0” (off) position and turn off the burners by rotating the gas regulator knobs to the “OFF” position (turns off). Close the gas pressure regulator (gas valve).

11. Wait for the equipment to reach room temperature before cleaning.



ATTENTION!

After finishing the work and turning off the burners, close the gas pressure regulator (register), because if it happens to be left open, the pressure exerted on the hose could damage it or break it, which could cause fire or other accidents.

IMPORTANT

Do not start the cooking process if there is food residue on the skewers, this can lead to bacterial contamination.

IMPORTANT

The manufacturer is not responsible for possible direct or indirect damage caused by non-compliance with the rules and instructions presented in this manual.

5. Cleaning and Maintenance

5.1 Cleaning Procedures and Products Used

Your equipment was built with first-line materials, so use it properly and you will obtain great satisfaction. Always keep your equipment clean and well-cared for, which will make it much more durable.

Daily cleaning of the equipment must be carried out for good operation and durability. Preventing the accumulation of bacteria which can cause contamination in food.

If your equipment is supplied with a protective film on the stainless-steel parts, it must be removed before the first cleaning.



ATTENTION!

Before carrying out maintenance or cleaning, make sure that the on/off switch is in the “0” (off) position, that the plug is disconnected from the mains, the gas valve of the cylinder is closed and the inside of the rotisserie at room temperature.

Never clean the glass of the roaster while it is still warm, as they could break due to the thermal shock.



ATTENTION!

Do not use water jet or steam to clean the equipment.

IMPORTANT

This equipment is not intended to be immersed in water for cleaning. Follow the instructions below to learn the parts that can be immersed and what special care is taken with the other parts.

Removable parts (skewers and grease collector) must be removed from the equipment and washed with soap and water or neutral detergent. Clean the corners well, eliminating process residues.

Clean the inside and outside of the roaster as often as possible to prevent food residue from drying and sticking to the parts. For cleaning, dilute the mild soap or detergent or ammonia-based remover in warm water and apply with a soft cloth. With a cloth dampened with water, rinse and then dry the parts with a soft, dry cloth.

To clean the infrared burner, use only a soft brush. Do not use water as the burner plate must not be wet.

Never use abrasive products or sponges (soap, brushes or steel wool), solvents or substances containing acids or chlorine to clean metal parts, as they can scratch or damage the surface of the parts

causing corrosion points. Do not spill water on the motor and electrical parts for cleaning, otherwise, when turning it on, it may cause an electric shock or even burn the equipment.



ATTENTION!

When the equipment is off and you are going to handle the skewer that contains the forks, take the utmost care. The forks are very sharp and can easily cause accidents (cuts, for example) if not handled carefully.

It is extremely important that the products used for cleaning ensure maximum hygiene and that they are non-toxic.

5.2 Breakdown Maintenance and Procedures

The operator must be instructed to carry out routine inspections, making small adjustments, cleaning and observing signs of breakdowns that may occur. Examples include: checking for strange noises indicating gas leaks; burners that do not light; the non-execution by the equipment to the service to which it is proposed; among others. Actions like these are indispensable to guarantee a longer equipment life.



ATTENTION!

When maintenance is carried out (even if minor adjustments are made), always check that the equipment has the burners off, the pressure regulator (register) of the gas closed and the equipment be at room temperature.

It is recommended that each 6 months be made preventive maintenance, checking and adjusting the loose, cleaning the internal parts, and others. Detecting broke parts or without the correct functionality the worker needs to exchange the parts, always using original parts only.

By carrying out preventive maintenance, the inconvenience of having the equipment stopped when it is most needed is eliminated, the cost of maintenance is reduced and the risk of accidents is reduced.

Follow the equipment maintenance and adjustment recommendations:

- Change the pressure regulator every 5 years or when it is defective;
- After use, keep the gas valve closed, avoiding pressure on the hose;
- The gas injector on the burner must always be unobstructed. If they become clogged, use a needle for cleaning on stove tops;



ATTENTION!

Preventive maintenance requires a trained professional.

Whenever an item related to the safety of the equipment is removed (such as when performing maintenance), put it back in its proper place and confirm that they are performing their function correctly.

Detecting broke parts or without the correct functionality, please contact the nearest authorized service center: www.metvisa.com.br

5.3 Prolonged Interruption in Use of the Equipment

When you have to leave the equipment stopped for an extended period of time, perform a thorough cleaning, including the accessories. It is advisable to protect all parts of the equipment with white petroleum jelly or with suitable products that are commercially available. You must also protect the equipment from dust by covering it with a nylon or other material.

6. Analysis and Troubleshooting

6.1 Problems, possible causes and solutions

IMG quality products are designed with materials and components that guarantee a longer service life for your equipment. However, due to natural wear, improper use or lack of maintenance, the equipment may have irregularities in its operation.

In the following table, you can see possible causes and solutions:

PROBLEMS	POSSIBLE CAUSES	SOLUTIONS
Burners do not light or the skewers do not rotate.	Lack of electricity or gas.	Check if there is energy in the network or gas in the cylinders. Check that the power cord is plugged into an outlet.
	Equipment voltage different from mains voltage.	Send the equipment to the nearest authorized service station or contact the factory.
	Several electrical problems (motor/capacitor, power cable and buttons).	
Skewer rotation stops in the middle of the operation	Lack of electricity	Check if there is power on the network. Check that the power cord is plugged into an outlet.
	Several electrical problems (motor/capacitor, power cable and buttons).	Send the equipment to the nearest authorized service station or contact the factory.

Infrared burners do not light	Lack of gas.	Check if there is gas in the cylinder, if the gas cylinder valve is open, if the gas hose is connected and if the gas regulator is open. Never install just a single gas cylinder, as this cylinder may freeze.
	Clogged gas injector.	Clear burner holes, as instructed in item 5.2 (Maintenance)
		Send the equipment to the nearest authorized service station or contact the factory.
Gas Leak.	See below for possible causes and solutions for gas leakage (page 21 and 22).	
Gas Leak.	Burst, loose or broken record.	Send the equipment to the nearest authorized service station or contact the factory, as there is a risk of accidents.
	Register injector out of position.	Send the equipment to the nearest authorized service station or contact the factory. There is a risk of accidents.
	Defective gas cylinder.	Check for gas leaks using soap suds only. If there is a leak, inform the technician to repeat the installation. If the leak persists, take the cylinder to a well-ventilated place and notify the company that sells or distributes the cylinder.
	Gas cylinder installed in horizontal position.	Install the cylinder in a vertical position. Never turn, lay down or tilt the cylinder, as the gas may flow in the liquid phase, canceling the function of the pressure regulator, which could cause serious accidents.
Equipment that smells of burning or smoke.	Equipment voltage different from mains voltage.	Send the equipment to the nearest authorized service station or contact the factory.
	Several electrical problems.	
	Burnt food	Too high temperature and/or baking time.
	Lack of curing of the paint inside the rotisserie.	For the first use of the equipment, it is necessary to cure the paint inside the roaster. Follow the instructions in item 4.3 (Operating Procedures).
It takes time to warm up or get back to temperature.	Dirty roaster.	Clean the rotisserie, according to the guidelines in item 5.1 (Cleaning Procedures).
	Excessive loading.	Load the roaster, respecting the spaces available on the skewers.
	Gas shortage or failure.	Check if there is gas in the cylinder, if the gas cylinder valve is open, if the gas hose is connected and if the gas regulator is open.
Uneven roasting	Lack of food rotation.	The equipment heats up more at the top. We recommend rotating the food.
	Excessive loading.	Respect the spaces available on the skewers.
Roaster giving shock	Lack of grounding.	Follow the instructions in item 3.3 (Electrical Connection).
	Several electrical problems.	Send the equipment to the nearest authorized service station or contact the factory.

For more information and clarification, contact the Authorized Technical Assistance nearest you. See list of technical assistance on our website: www.metvisa.com.br

7. Useful Life of the Device and its Components

The equipment's useful life can vary from 3 to 5 years depending on the proper use, cleaning, maintenance and quality of its components.

Below is the useful life ratio of the main components:

- On/Off button: 10000 uses;
- Electrical cables and wires: 25 years
- Electrical terminals: 8 years.

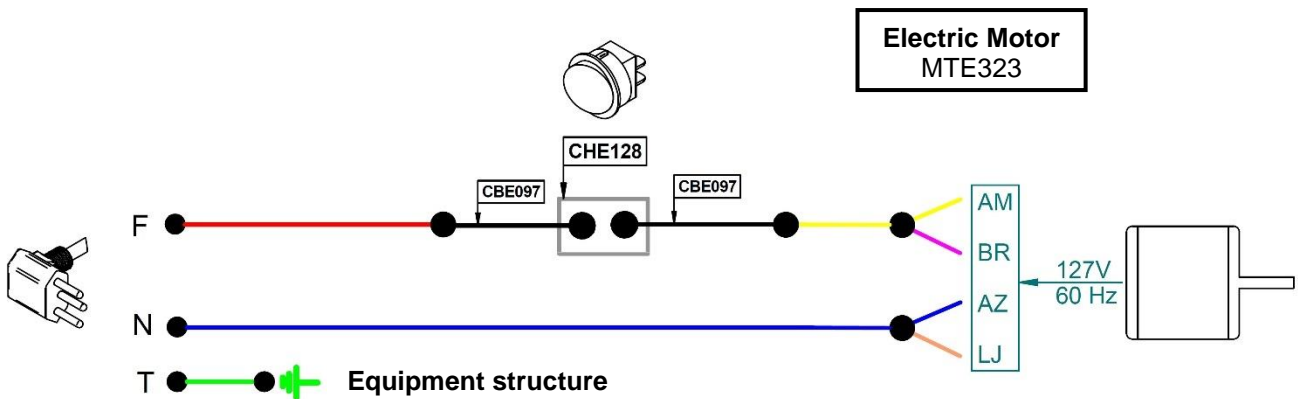
8. Applicable Standards

The Brazilian standards applied for the development of the equipment and preparation of this manual are:

- IEC 60335-1;
- IEC 60335-2-48;
- IEC 60335-2-102;
- Portaria 148 de 28 de March de 2022 do INMETRO;
- Applicable Technical Standards (ABNT NBR, ISO IEC).

9. ANEXOS

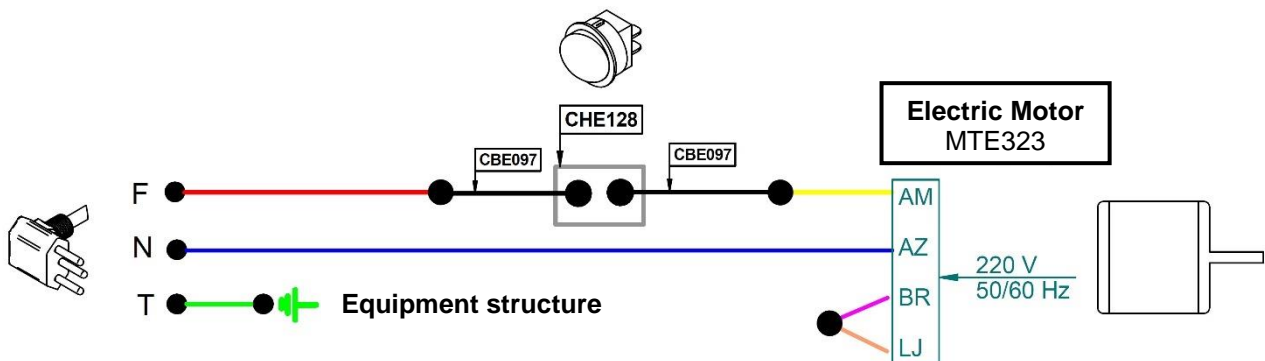
Electrical Schematic Voltage 110/127 V



ATTENTION: The ground connection varies depending on the type of plug. For electrical installation, observe the country's current regulations, especially with regard to earth connection (if applicable).

White wires are represented by pink.

Electrical Schematic Voltage 220 V



ATTENTION: The ground connection varies depending on the type of plug. For electrical installation, observe the country's current regulations, especially with regard to earth connection (if applicable).

White wires are represented by pink.

Exploded View Drawing

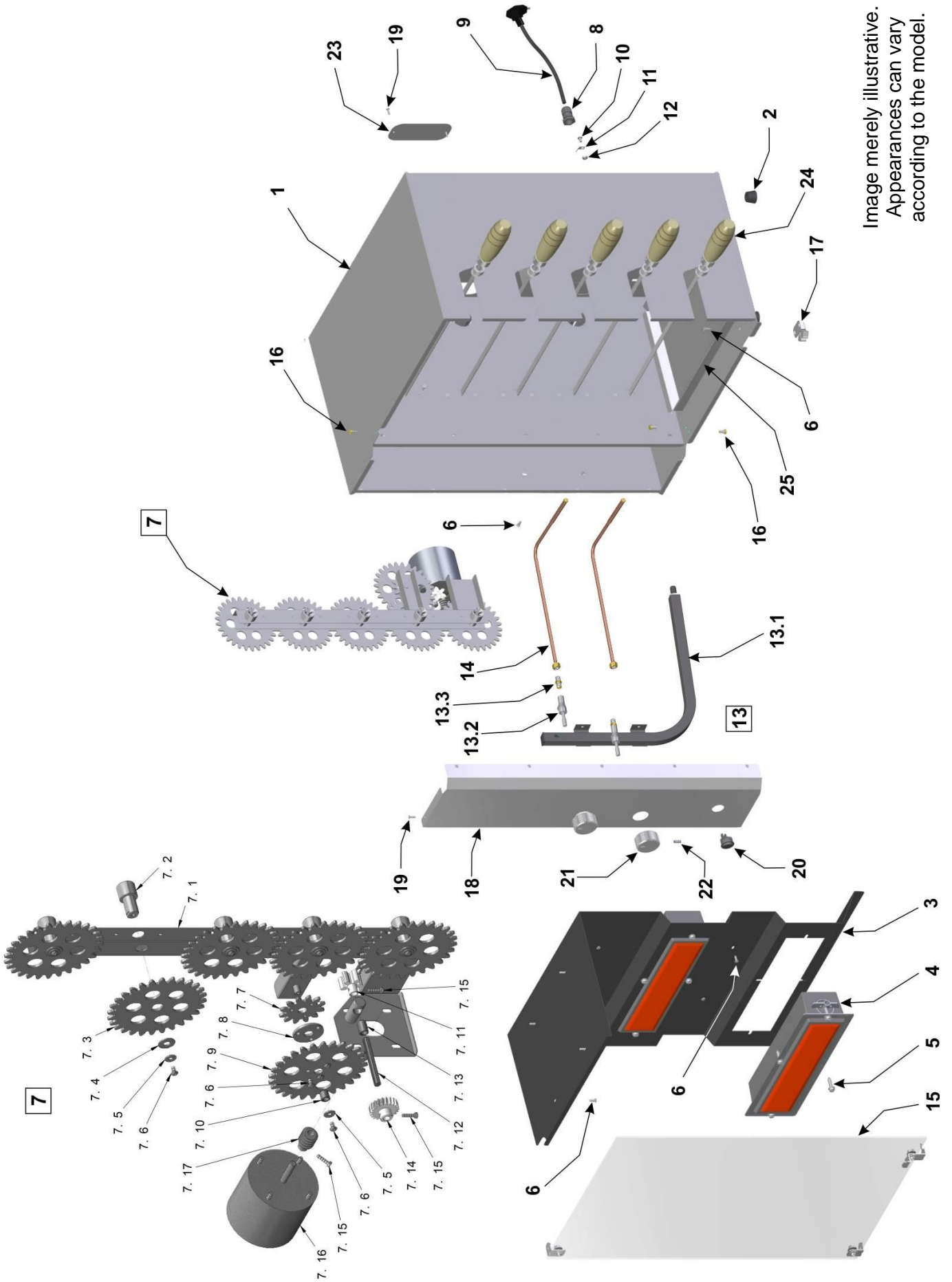


Image merely illustrative.
Appearances can vary
according to the model.

Spare Parts List

Position	Code	Description	Quantity	Model
1	ETR155	Welded Structure	01	ASER.10
	ETR154		01	ASER.6
2	PEP010	Rubber Foot with Built-in Nut	06	*
3	CRC1485	Burner Support Plate	01	ASER.10
	CRC1484		01	ASER.6
4	CJT924	Infrared Burner set 2,250 KCAL	02	ASER.10
			01	ASER.6
5	PRA022	Hexagonal Slotted Screw	08	ASER.10
			04	ASER.6
6	RBT021	Rivet (Black)	21	ASER.10
			15	ASER.6
7	CJT1154	Mounted Transmission - ASER.10 127/220V 60Hz	01	ASER.10
	CJT1153	Mounted Transmission - ASER.6 127/220V 60Hz	01	ASER.6
	CJT1198	Mounted Transmission - ASER.10 220V 50Hz	01	ASER.10
	CJT1197	Mounted Transmission - ASER.10 220V 50Hz	01	ASER.6
7.1	SBT599	Welded Mounted Transmission - ASER.10	01	ASER.10
	SBT598	Welded Mounted Transmission - ASER.6	01	ASER.6
7.2	EIX297	Skewer Drag Shaft	05	ASER.10
			03	ASER.6
7.3	EGG115	Skewer Gear	05	ASER.10
			03	ASER.6
7.4	ARL003	Flat washer	05	ASER.10
			03	ASER.6
7.5	ARL005	Flat washer	06	ASER.10
			04	ASER.6
7.6	PRR017	Stainless Steel Round Machine Screw	09	ASER.10
			07	ASER.6
7.7	EGG112	Gear	01	*
7.8	SPD059	Gear Spacer	01	*
7.9	EGG114	Driven Gear	01	*
7.10	BGT113	Graphite Bushing	01	*
7.11	EGG111	Gear	01	*
7.12	EIX299	Helical Gear Guide Shaft	01	*
7.13	BGT114	Graphite Bushing	01	*
7.14	EGG113	Helical Driven Gear	01	*
7.15	PCC005	Round Machine Screw	03	*
7.16	MTE323	Electric Motor 1/3HP 127/220V 60 Hz	01	*
7.16	MTE329	Electric Motor 1/3HP 220V 50 Hz	01	*
7.17	EGG116	Worm gear	01	*
8	TCE073	Cable Gland	01	*
9	CBE023	Electric Cable - Model 1	01	*
9	CBE030	Electric Cable - Model 4	01	*
10	PRR017	Stainless Steel Round Machine Screw	01	*
11	TCE007	Grounding Terminal	01	*
12	POS020	Stainless Hex Nut	01	*

* Item applied to all roaster models.

Spare Parts List

Position	Code	Description	Quantity	Model
13	CJT1158	Distribution Set with Valves	01	ASER.10
	CJT1156		01	ASER.6
13.1	CJT1157	Welded Gas Distribution Set	01	ASER.10
	CJT1155		01	ASER.6
13.2	TNR003	Gas Tap - 245° Rotation Gas Valve	02	ASER.10
			01	ASER.6
13.3	IJT005	Injector	02	ASER.10
			01	ASER.6
14	CJT1159	Gas Feed Assembly	02	ASER.10
			01	ASER.6
15	PTA019	Mounted Door	01	ASER.10
	PTA018		01	ASER.6
16	PCC003	Cylindrical Machine Screw	03	*
17	FCH022	Roller Closure	01	*
18	GAB255	Front Cabinet	01	ASER.10
	GAB254		01	ASER.6
19	RBT022	Rivet (Black)	18	ASER.10
			12	ASER.6
20	CHE128	On-off button	01	*
21	BOT043	Regulator Button	02	ASER.10
			01	ASER.6
22	PRN012	Allen screw	02	ASER.10
			01	ASER.6
23	TAP193	Back Cover	02	ASER.10
			01	ASER.6
24	CJT1152	Skewer 45cm Assembled	04	ASER.10
			02	ASER.6
	CJT1161	Triple Skewer 45cm Assembled	01	*
25	BDJ072	Collector Tray - ASER.6/10	01	*

* Item applied to all roaster models.



IMG-BRASIL Gastronomy Machinery Industry Ltda.

CNPJ 11.193.347/0001-14 - CREA 131726-3
Road Antônio Heil - KM 23 Nº 5825 - Neighborhood: Limoeiro
ZIP CODE 88352-502 - Brusque - SC - Brazil
Phone/fax. +55 47 3251-5555 - Site: www.metvisa.com.br
Mail: sac@metvisa.com.br - export@metvisa.com.br



Know our complete
line of products.